

# 55mm Widespan Roller Shutter

Widespan Residential & Light Commercial Applications



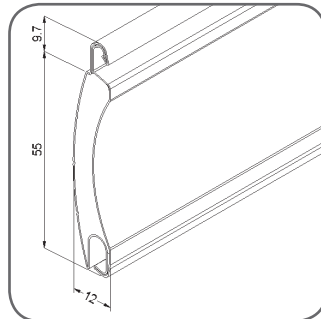
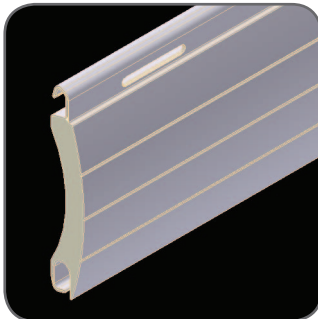
This roller shutter range is made with a precision roll formed roller shutter profile, and is suitable for many widespan applications.

## Suitable Applications

- Domestic Windows.
- Domestic Doorways.
- Garage Doors.
- Light Commercial Shop Fronts & Windows.
- Counter Tops/SerVICES.
- Entry Level Security for Factories, Warehouses, Clubs, Pubs & Hotels, Restaurants, Pharmacies & Sports Complexes.

## Features

- High quality aluminium alloy construction.
- Foam filled profile for additional strength, security and silent operation.
- High quality painted finish.
- Smooth and curved face profile.
- Roll-tight design.
- Range of colours.
- Double coated + lacquer for abrasion resistant finish.
- Heavy duty steel axle with high quality internal sealed bearings.
- Suitable for widespan widths up to 4500mm.
- Can be manually operated or motorised.
- Made in Australia.



## Technical Specifications

|                                   |                                |
|-----------------------------------|--------------------------------|
| Maximum Shutter Width             | 4500mm                         |
| Maximum Shutter Height            | 3000mm                         |
| Maximum Surface Area              | 10m <sup>2</sup>               |
| Curtain Weight/Metre <sup>2</sup> | 4kg                            |
| Number Of Slats/Metre             | 18                             |
| Profile Slat Covering             | 55mm                           |
| Profile Slat Thickness            | 12mm                           |
| Axle Types                        | Octagonal Steel                |
| Bottom Bar Dimensions             | 55mm x 8.5mm                   |
| Guide Dimensions                  | 68mm x 25mm/18mm               |
| Paint Finish                      | Polyurethane/Polyamide (PU/PA) |
| Inner Profile Foam Type           | Poly Urethane (CFC Free)       |

\* Shutter Components Australia recommends the use of Photo Safety Cells when installing automated roller shutters over openings and doorways. Especially when the roller shutter is not in full view of the operator (eg. when using a remote control or wall switch positioned away from the roller shutter and out of view). When using a wall switch, we recommend a spring return switch/deadman switch.

General Note: All dimensions and colours are indicative only and may change without notice. Profile technical specifications and shutter performance may vary in certain applications, eg. wide applications with no solid structure behind the roller shutter. For more information please contact Shutter Components Australia.



## Pelmet Sizes & Maximum Shutter Height

| Pelmet Box Size | Max. No. Of Slats | Max. Shutter Height | Axle Size          |
|-----------------|-------------------|---------------------|--------------------|
| 180mm           | 32                | 1850mm              | 60mm               |
| 205mm           | 42                | 2400mm              | 60mm               |
| 230mm           | 55                | 3100mm              | 70mm               |
| 230mm           | 49                | 2800mm              | 101mm with adaptor |
| 250mm           | 65                | 3650mm              | 101mm with adaptor |
| 250mm           | 56                | 3150mm              | 130mm with adaptor |

## Roller Shutter Colour Options




| Profiles    | Pelmets/Side Frames/Guides/Bottom Bars |
|-------------|--|
| Cream       | Cream                                  |
| Clear Beige | Clear Beige                            |
| White       | White                                  |
| Brown       | Brown                                  |
| Silver      | Black                                  |

Powder coated options available (additional charges apply)

## Wind Speeds & Maximum Shutter Width

| Wind Speed | Max. Shutter Width | Max. Surface Area  |
|------------|--------------------|--------------------|
| 11.2m/sec  | 4500mm             | 10.5m <sup>2</sup> |
| 13m/sec    | 4000mm             | 10m <sup>2</sup>   |
| 15.8m/sec  | 3300mm             | 8.25m <sup>2</sup> |
| 20.4m/sec  | 2900mm             | 7.25m <sup>2</sup> |
| 25.9m/sec  | 2500mm             | 6.25m <sup>2</sup> |
| 34.9m/sec  | 2400mm             | 6m <sup>2</sup>    |

## Control Options

| Manual Options  | Motorised Options   |
|---|---|
|  <p>Steel Cable Winder (Up To 50Kg)</p> |  <p>Spring Loaded With Key Lock</p>                          |
|   |  <p>Remote Control With SolarSmart™ Automation 12V Motor</p> |

## Motorised Options (continued)

|  |   |  |  |  |  |
|--|---|--|--|--|--|
|  <p>PowerSmart™ Control System With 12V Motor (Up To 50Kg)*</p> |  <p>Wall Switch With 240V Electric Motor</p> |  <p>Remote Control With 240V Electric SIMU Hz Motor</p> |  <p>Key Switch With 240V Electric Motor</p> |  <p>Crank Handle With 240V Electric Manual Override Motor</p> |  <p>S-05 Remote Control (Key Ring Transmitter) With 240V Electric Motor &amp; Multi-Function S-05 Radio Receiver &amp; Control Unit</p> |
|--|---|--|--|--|--|

\* When used in conjunction with an assist spring as per CW Products specifications.

For more info on 55mm Widespan Roller Shutters, contact your nearest dealer or visit [www.shuttercomponentsaustralia.com.au](http://www.shuttercomponentsaustralia.com.au)

Authorised Dealer:

Illustrations, photos and colours shown in this brochure are for illustrative purposes only. All technical specifications and dimensions are correct at time of printing and may change without notice. Profile technical specifications and shutter performance may vary in certain applications, eg. wide applications with no solid structure behind the roller shutter. For more information please contact Shutter Components Australia. © 2015 CW Products.

Distributed In Victoria By  
**Shutter Components Australia**  
 1/8 Waigani Avenue Ravenhall VIC 3023  
**Tel:** 03 9038 8904 **Fax:** 03 8390 0966  
**Web:** [www.shuttercomponentsaustralia.com.au](http://www.shuttercomponentsaustralia.com.au)

Manufactured By  Distributed By 

  **CW PRODUCTS** HOME AUTOMATION & ROLLER SHUTTERS